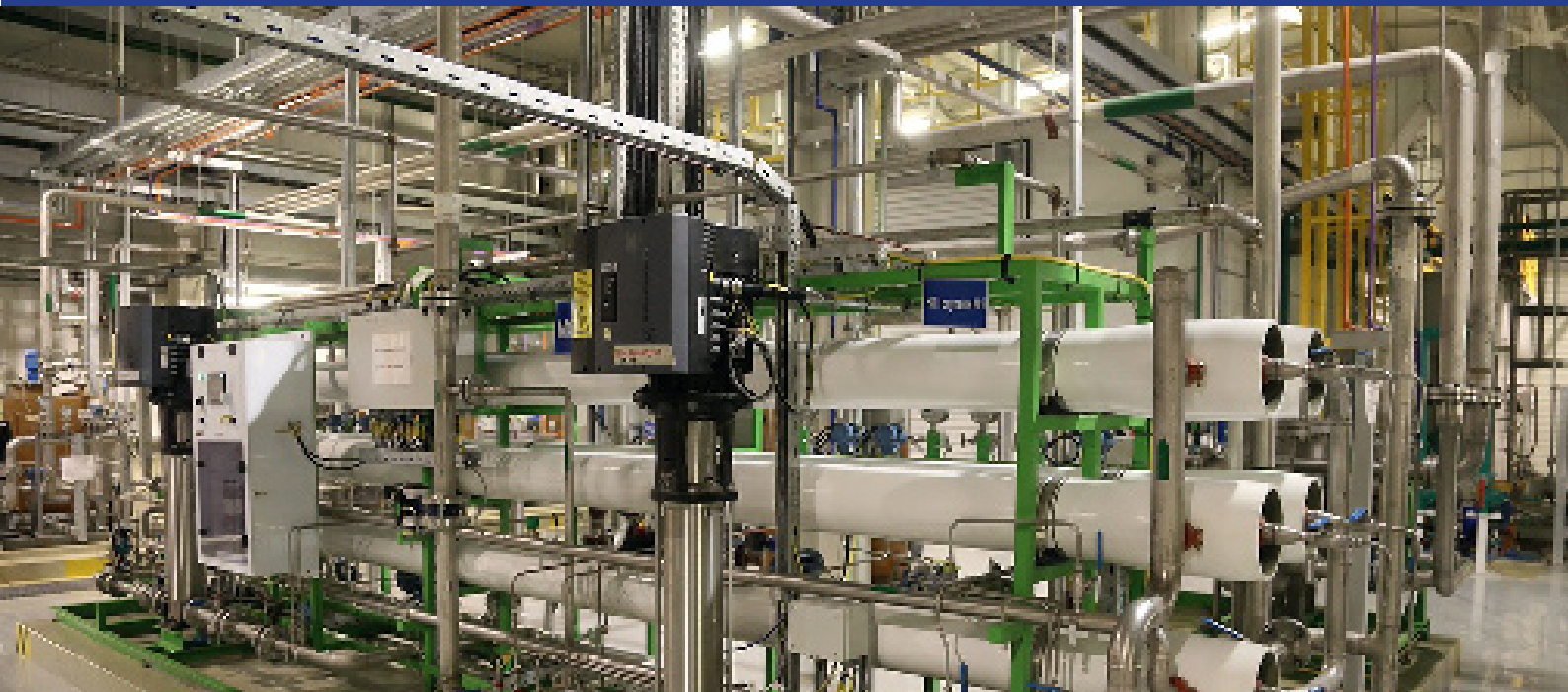


M430 Series



Multi-purpose frequency inverter for general purpose
and pump applications

0.75kW ~ 75kW
3 phase 380V
IP20



Specification

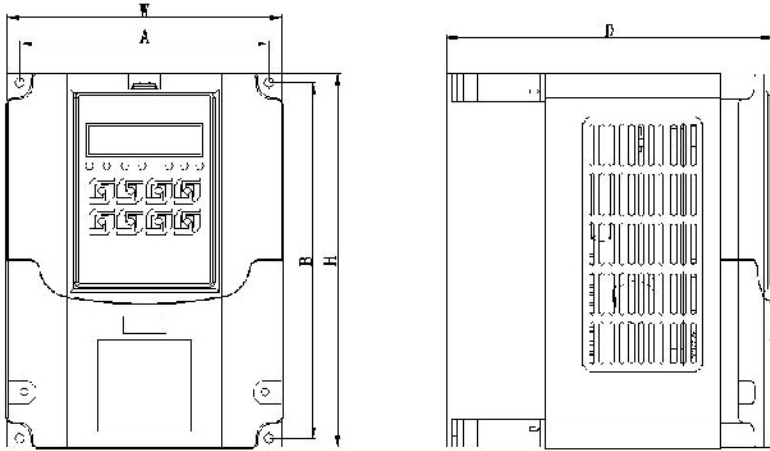
	Items	M430
Power supply	Rated voltage, frequency	3 phase 380V 50/60Hz
	Voltage range	380V (323V~437V)
Control method		V/f control, sensorless vector control
Basic function	Maximum frequency	400.00Hz
	Startup torque	150%, 0.5Hz (sensorless vector control) 150%, 1Hz (V/f control)
	Carrier frequency	1-15kHz
	Speed adjustment range	1:100 (sensorless vector control)
	Stable speed precision	±0.5% max. speed (sensorless vector control)
	V/f curve	Linear V/f, Square V/f, Multi-point V/f
	Acceleration/deceleration time	0.1~3600s
	DC brake	DC brake frequency: 0.00~400.00Hz; brake time: 0.0~50.0s; brake current value: 0.0~150.0%
	PID control	Built-in
	RS-485	Standard RS-485 communication function (MODBUS)
	Multi-speed	4 terminals, 16 steps speed control
	Auto voltage regulation (AVR)	It can keep constant output voltage automatically in case of change of mains voltage
Input	Analog	2
	Digital	8
Output	Analog	1
	Digital	1
	Relay	2
Protection/ Warning function	Overload	150%, 60s; 120%, 60s (pump application)
	Over voltage	Yes
	Under voltage	Yes
	Other protections	Overheat, over current, phase loss protection
Environment	Operation place	Indoor, hide sunshine, no dust, corrosive gas, combustible gas, oil mist, water vapor, salinity
	Ambient temperature	-10 °C ... +40 °C
	Storage temperature	-20 °C ... +60 °C
	Ambient humidity	Max. 95 % (non-condensing)
	Altitude	Lower than 1000m
	Vibration	<5.9 m/s ² (0.6 G)
Structure	Cooling mode	Forced air cooling
	Protective	IP20

Model range

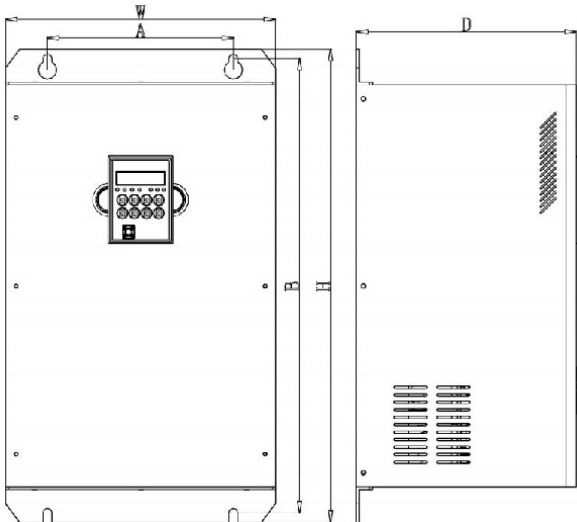
Model	Input	Rated output power (kW)	Input current (A)	Output current (A)	Overload capacity (60s) (A)	Applicable motor (kW)
ADV 0.75 M430-M	3 phase AC 380V 50/60Hz	0.75	3.4	2.5	3.75	0.75
ADV 1.50 M430-M		1.5	5	3.7	5.55	1.5
ADV 2.20 M430-M		2.2	5.8	5	7.5	2.2
ADV 5.50 M430-M		5.5/4	15/10	13/9	19.5/13.5	5.5/4
ADV 7.50 M430-M		7.5/5.5	20/15	17/13	20.4/19.5	7.5/5.5
ADV 11.0 M430-M		11/7.5	26/20	25/17	30/25.5	11/7.5
ADV 15.0 M430-M		15/11	35/26	32/25	38.4/37.5	15/11
ADV 18.5 M430-M		18.5/15	38/35	37/32	44.4/48	18.5/15
ADV 22.0 M430-M		22/18.5	46.5/38.5	45/37	54/55.5	22/18.5
ADV 30.0 M430-M		30/22	62/46	60/45	72/67.5	30/22
ADV 37.0 M430-M		37/30	76/62	75/60	90/90	37/30
ADV 45.0 M430-M		45/37	90/76	90/75	108/112.5	45/37
ADV 55.0 M430-M		55/45	105/90	110/90	132/135	55/45
ADV 75.0 M430-M		75/55	140/105	150/110	180/165	75/55

Dimensions

(1) 18.5kW (included) below



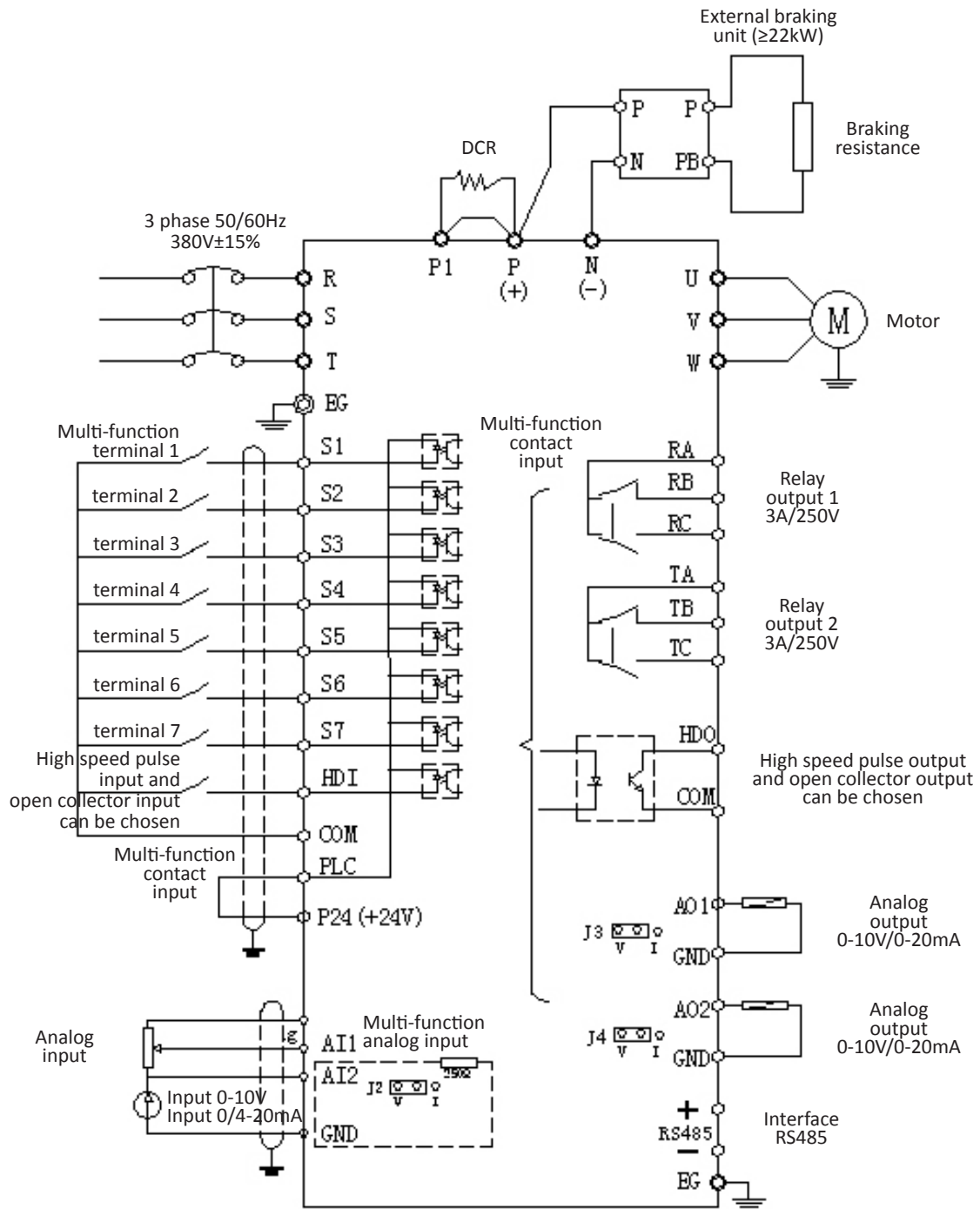
(2) 22kW (included) above



Unit: mm

Model	A	B	H	W	D	Mounting hole
ADV 0.75 M430-M	113.5	161.5	170	125	149	5
ADV 1.50 M430-M						
ADV 2.20 M423-M						
ADV 5.50 M430-M	147.5	238	253	163	175	5.2
ADV 7.50 M430-M						
ADV 11.0 M430-M						
ADV 15.0 M430-M	205.5	288.5	302	218	216	6.5
ADV 18.5 M430-M						
ADV 22.0 M430-M	200	486	506	290	236	10
ADV 30.0 M430-M						
ADV 37.0 M430-M						
ADV 45.0 M430-M	275	557	582	375	255	10
ADV 55.0 M430-M						
ADV 75.0 M430-M						

Wiring diagram



Applications

Pumps and fans, extruder
 Automatic production line
 Air conditioner, water supply
 Food machine, blender
 Packing machine, conveyor
 Medicine machine
 Blow molding machine
 Oil pump
 Fountain



Advanced Control[®], Advanced Systems Baltic OÜ
Punane 73, 13619 Tallinn, Estonia
Phone: +372 622 82 20, Fax: +372 622 82 21
Web: www.advcontrol.eu, e-mail: info@advcontrol.eu